

IP-0101

Air Flow Enhancer

OLD AIR PRODUCTS www.oldairproducts.com
DIVISION OF COLD AIR PRODUCTS INC.
8744 Forum Way, Fort Worth TX 76140
(817) 531-2665 or FAX 531-3257

Installation Instructions

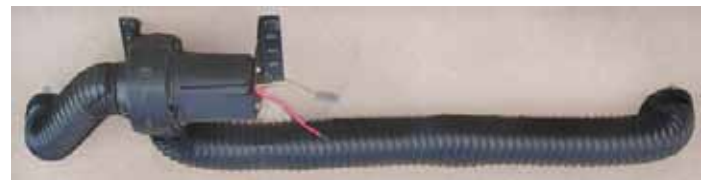
1. Read instructions thoroughly.
2. Install Louvers
 - a) Mark desired location of louvers, Check for obstructions and clearance for duct hose behind louvers.
 - b) Cut 3-3/8" diameter holes for louvers.
 - c) Insert louver into hole and mark mounting holes.
 - d) Remove louver and drill mounting holes.
 - e) Attach louvers with screws provided.
3. Install blower assembly.
 - a) Hold blower assembly against mounting surface, and mark position of mounting holes.
 - b) Drill Holes and attach blower assembly.
4. Install Duct Hose
 - a) Route a piece of duct hose from blower motor assembly to each of the louvers.
 - b) Secure ends of duct hoses with tie wraps.
5. Electrical connections.
 - a) Connect red wire w/ bullet connector from blower motor to ground (-).
 - b) Connect 3 terminal plug to matching plug in wire harness.
 - c) Locate desired location for blower switch installation, usually within easy reach of driver.
 - d) Drill 1/2" diameter hole, Install blower speed decal. *TIP: clean mounting surface to assure good adhesion of decal.*
 - e) Install switch and secure with panel nut supplied in kit.
 - d) Connect Blue wire w/ fuse to "Key-On" power source.
 - e) Secure wire harness away from sharp edges with remaining tie wraps.



Install Louvers



Install Blower Assembly



Install Duct Hose

Parts List

Blower Assembly

Louver Kit

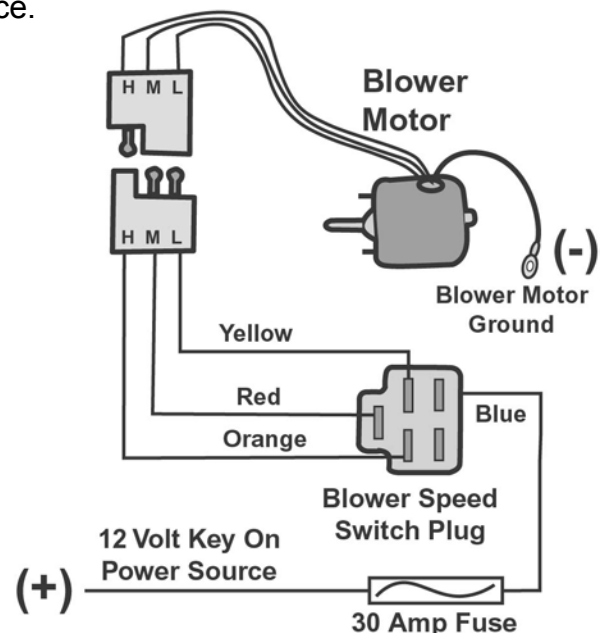
- 2) Louvers & Mounting Hardware

Duct Hose

- 1) 91-0250 9' of 2-1/2" Plastic Duct Hose

Control Package

- 1) Wire Harness w/ Rotary Blower Switch & Knob.



Parts List

Blower Assembly

Louver Kit

- 2) Louvers & Mounting Hardware

Duct Hose

- 1) 91-0250 9' of 2-1/2" Plastic Duct Hose

Control Package

- 1) Wire Harness
- 1) Rotary Blower Switch w/Knob

